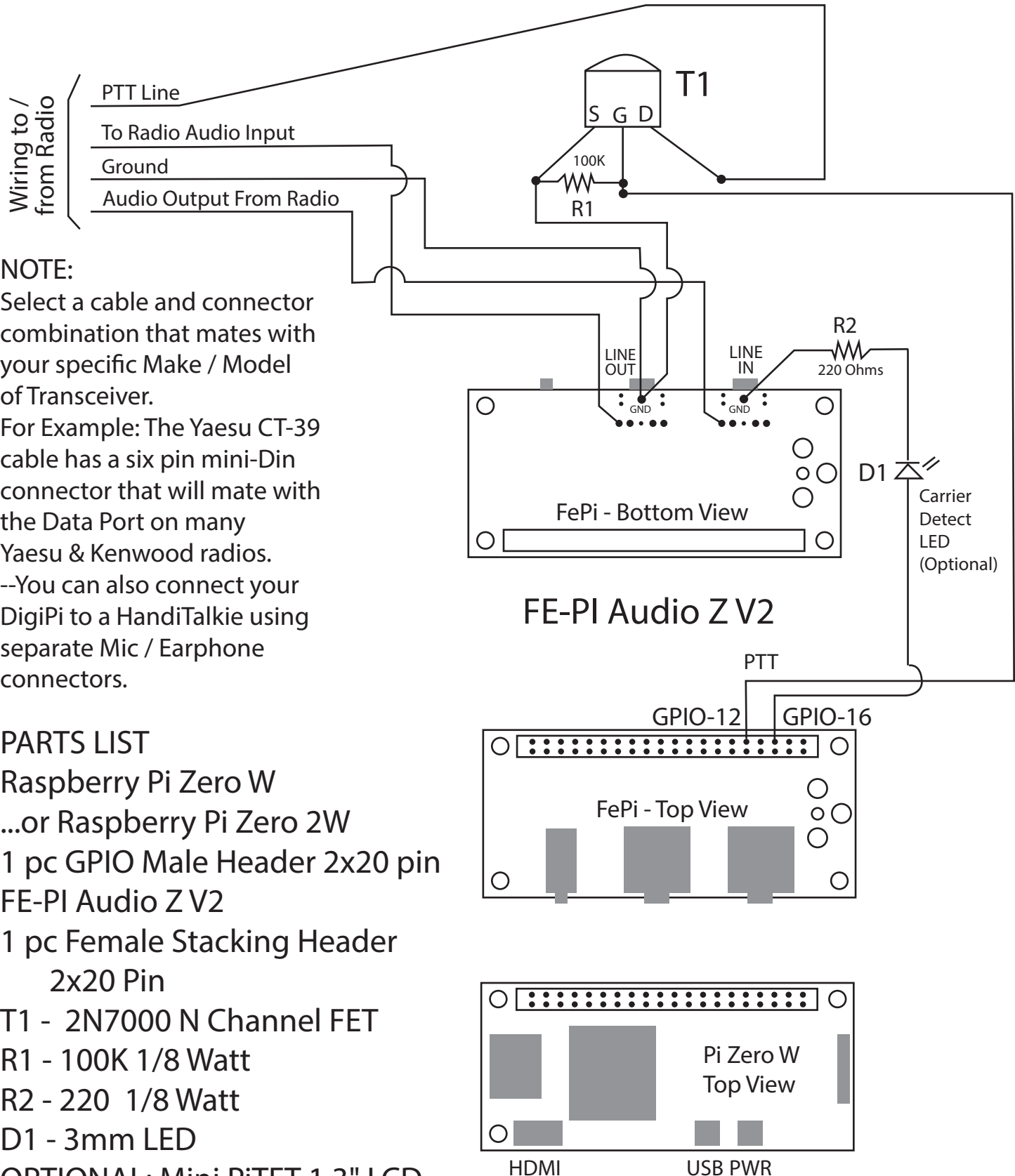


DIGI PI WIRING

With FePi Audio Z V2 Sound Card



Wiring to /
from Radio

- PTT Line
- To Radio Audio Input
- Ground
- Audio Output From Radio

NOTE:
 Select a cable and connector combination that mates with your specific Make / Model of Transceiver.
 For Example: The Yaesu CT-39 cable has a six pin mini-Din connector that will mate with the Data Port on many Yaesu & Kenwood radios.
 --You can also connect your DigiPi to a HandiTalkie using separate Mic / Earphone connectors.

PARTS LIST

- Raspberry Pi Zero W
- ...or Raspberry Pi Zero 2W
- 1 pc GPIO Male Header 2x20 pin
- FE-PI Audio Z V2
- 1 pc Female Stacking Header 2x20 Pin
- T1 - 2N7000 N Channel FET
- R1 - 100K 1/8 Watt
- R2 - 220 1/8 Watt
- D1 - 3mm LED
- OPTIONAL: Mini PiTFT 1.3" LCD Display 240x240 w/2 Buttons